

Load link with display:

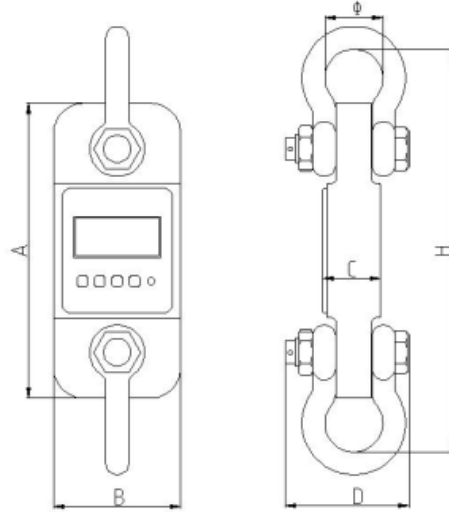
CS-SW6A

Load Link with display



Rugged construction. Accuracy: 0.05% of capacity. All functions and units are clearly display on the LCD (with backlighting) .Digits are 1 inch high for easy distant viewing. Two user programmable Set-Point can be used for safety and warning applications or for limit weighing. Long battery life on 3 standard “LR6(AA)”size alkaline batteries. All commonly used internationally recognized units are available : kilograms(kg), short Tons(t) pounds(lb), Newton and kilonewton(kN).Infrared Remote control easier to calibration(with password). Infrared Remote control with many functions : “ZERO”, “TARE”, “CLEAR”, “PEAK”, “ACCUMULATE”,“HOLD”, “Unit Change”, “Voltage Check” and “Power OFF”.4 local mechanical keys ON/OFF”, “ZERO”, “PEAK” and Unit Change”. low battery warning

Outline Dimension (mm):



(Dimensions shown are nominal and subject to tolerances)

Model	Cap.	Div (Kg)	A (mm)	B (mm)	C (mm)	D (mm)	ϕ (mm)	H (mm)	Material
CS-SW6-02	2t	1	245	116	37	190	43	335	Aluminum
CS-SW6-03	3t	1	260	123	37	195	51	365	Aluminum
CS-SW6-05	5t	2	285	123	57	210	58	405	Aluminum
CS-SW6-10	10t	5	320	120	57	230	92	535	Alloy Steel
CS-SW6-20	20t	10	420	128	74	260	127	660	Alloy Steel
CS-SW6-30	30	10	420	138	82	280	146	740	Alloy Steel
CS-SW6-50	50t	20	465	150	104	305	184	930	Alloy Steel
CS-SW6-100	100t	50	570	190	132	366	229	1230	Alloy Steel
CS-SW6-200	200t	100	725	265	183	440	280	1380	Alloy Steel
CS-SW6R-250	250t	100	800	300	200	500	305	1880	Alloy Steel
CS-SW6R-300	300t	200	880	345	200	500	305	1955	Alloy Steel
CS-SW6R-500	550t	200	1000	570	200	500	305	2065	Alloy Steel

Weight:

Model	1t	2t	3t	5t	10t	20t	30t
Weight(kg)	1.6	1.7	2.1	2.7	10.4	17.8	25
Weight with shackles(kg)	3.1	3.2	4.6	6.3	24.8	48.6	87
Model	50t	100t	200t	250t	300t	500t	
Weight(kg)	39	81	210	280	330	480	
Weight with shackles(kg)	128	321	776	980	1500	2200	

Wireless Load Links Typical Specifications:

Rate Load:	1/3/5/12/25/35/50/75/100/150/200/250/300/500T		
Battery Type:	18650 rechargeable batteries or polymer batteries (7.4v 2000 Mah)		
Proof Load:	150% of rate load	Max. Safety Load:	125% F.S.
Ultimate Load:	400% F.S.	Battery Life:	≥40 hours
Power On Zero Range:	20% F.S.	Operating Temp.:	- 10°C ~ + 40°C
Manual Zero Range:	4% F.S.	Operating Humidity:	≤85% RH under 20°C
Tare Range:	20% F.S.	Remote Controller Distance:	Min. 15m
Stable Time:	≤10seconds;	System Range:	500~800m
Overload Indication:	100% F.S. + 9e	Telemetry Frequency:	470mhz

Multiple wireless Optional



Multiple Color Optional: