

Type CLC Load Cell

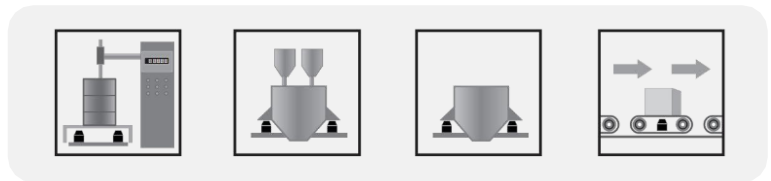
Special features

- Stainless steel construction
- Max. capacities from 30t to 50t
- Complies with OIML R60 regulations up to 5000d divisions
- Hermetically sealed (IP68; IP69K)
- Stainless steel cable connector(Glass-to-Metal seal)
- Self-restoring function
- Applications: Truck scale and Industrial batching control system

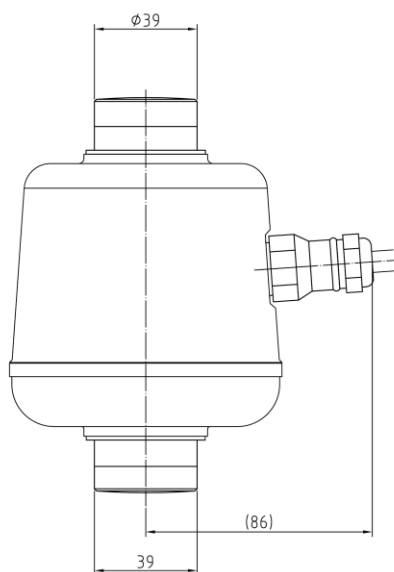
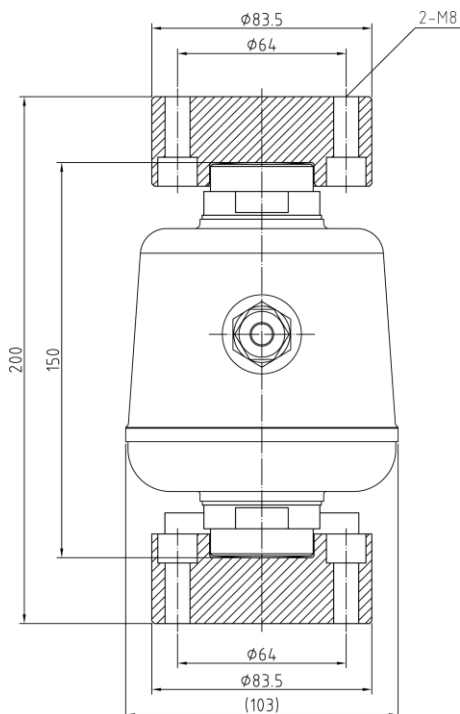


Option

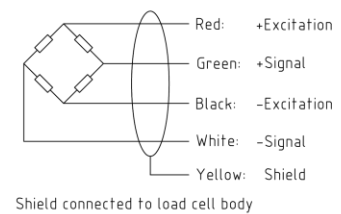
- Exterior braided armor covered cable; 8.5mm O.D. ; 4 Conductors AWG22
- Explosion-proof versions



Dimensions



Cable Colour Code: (4-wire circuit)



Type CLC Load Cell

Parameter		Units	Specifications		
Model No.			CLC		
Rated capacity (E_{max})		t	30	40	50
Accuracy class ¹⁾²⁾			C3		C5
Min. dead load		kg	0		
Rated output		mV/V	2.0 ± 0.002		
Zero balance		% of E_{max}	± 1		
Y-value			8000	10000	
Repeatability error		% of AL ³⁾	< ± 0.010	< ± 0.005	
Creep; 30 minute		% of AL	< ± 0.017	< ± 0.010	
Min. dead load output return (DR); 30 min		% of AL	< ± 0.017	< ± 0.010	
Temp. effect on	Min. dead load output	% of $E_{max}/^{\circ}C$	< ± 0.00175	< ± 0.0014	
	Rated output ²⁾	% of AL/ $^{\circ}C$	< ± 0.0012	< ± 0.0007	
Temperature range	Compensated	$^{\circ}C (^{\circ}F)$	- 10 to + 40 [+ 14 to +104]		
	Operating		- 40 to + 65 [- 40 to +149]		
	Safe storage		- 40 to + 80 [- 40 to +176]		
Excitation voltage	Recommended	V AC/DC	5 ~ 15		
	Maximum		15		
Terminal resistance	Excitation	Ω	1100 ± 15		
	Output		1000 ± 3		
Insulation resistance @50VDC		M Ω	> 5000		
Breakdown voltage		V AC	> 500		
Seal type / IP rating			Hermetically welded / IP68 69K		
Load limit	Safe	% of E_{max}	150		
	Ultimate		300		
Material	Spring element		Stainless steel		
	Enclosure		304 stainless steel, laser welded		
	Anti-Rotation		Integral; Parallel dual-plane		
	Connectors		Glass-to-Metal seal		
	Strain gauge		PI-1000		
	Cable construction		Exterior braided armor covered with fireretardant PVC; PVC chemically resistant jacket, 7mm O.D. ; 4 Conductors triple shielded wires ; AWG24		
Cable length		m	16.0		
Weight; approx		kg	6.0		
Fatigue life		cycles @ E_{max}	> 1,000,000		
Deflection at E_{max} ; approx		mm	< 0.5		
Barometric pressure effect on Zero Output		Vmin/kPa	< 1.0		

Notes:

- 1) Error due to the combined effect of non-linearity and hysteresis
- 2) The sum of errors due to Temperature Effect on Output comply with the requirements of OIML R60 and NIST HB44
- 3) AL= Applied Load