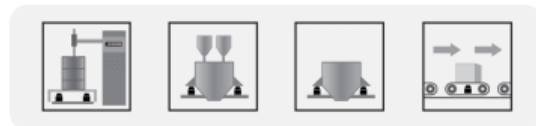
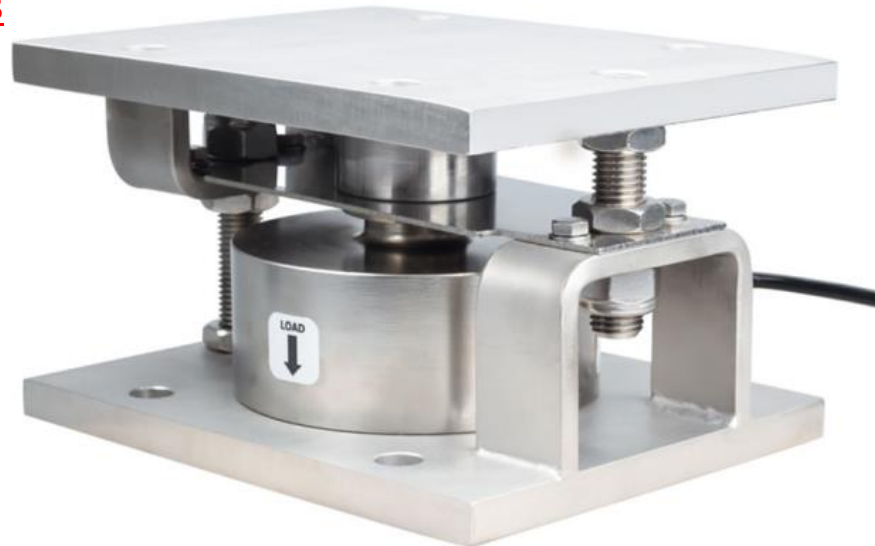


Type GL Load Cell

Weighing modules



Features

- Weighing range: 0.5t...100t
- Use high-quality sensors with high weighing accuracy
- Unique structure, can be easily installed on various tanks
- Support bolts to prevent equipment from tipping over
- High-quality alloy steel, nickel-plated surface
- Simple and fast installation
- Easy maintenance, saving downtime maintenance time
- Protection grade IP67/IP68

Applications

- Hopper, silo
- Platform, vertical tank
- Ingredient weighing of tank
- Weighing control during production process

Weighing modules

Description

GL static load weighing module uses high-quality sensor elements. Its characteristics are compact structure, no need to install other accessories, and the self-stabilizing sensor pressure head makes the measurement accurate and repeatable. Made of alloy steel, stainless steel is optional, suitable for weighing control of tank batching process in harsh environments. Quick installation, saving installation and downtime maintenance time. Static load weighing module can be easily installed on containers of various shapes, and can be easily loaded, batched or stirred in the container.

Weighing modules

Available Models

P/N	Capacity	Accuracy	Full Article Description
72208999-001	500kg	C3	GL-500Kg-C3-500kg-12B-2-FH
72208999-002	1t	C3	GL-1t-C3-1t-12B-2-FH
72208999-003	2.5t	C3	GL-2.5t-C3-2.5t-12B-2-FH
72208999-004	5t	C3	GL-5t-C3-5t-12B-2-FH
72208999-005	10t	C3	GL-10t-C3-10t-12B-2-FH
72208999-006	15t	0.03%	GL-15t-C3-15t-12B-2-FH
72208999-007	20t	0.03%	GL-20t-C3-20t-12B-2-FH
72208999-008	30t	0.03%	GL-30t-C3-30t-12B-2-FH
72208999-008	50t	0.03%	GL-50t-C3-50t-12B-2-FH
72208999-008	100t	0.03%	GL-100t-C3-100t-12B-2-FH

Type GL Load Cell

Technical Specifications GL

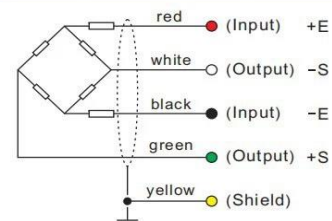
Accuracy Class		OIML R60 C3
Output Sensitivity (= FS)	mV/V	2.0 ± 0.002
Maximum Capacity (Emax)	kg	500kg,1t,2.5t,5t,10t,15t,20t,30t,50t,100t
Max. Number of Load Cell Intervals	nLc	3000
Ratio of min. LC Verification Interval	Y = Emax / vmin	7500
Combined Error	%FS	≤± 0.02
Creep Error (30 minutes)	%FS	≤± 0.02
Temperature Effect on Zero (ZTC)	%FS/10°C	≤± 0.02
Temperature Effect on Sensitivity (STC)	%FS/10°C	≤± 0.02
Zero Balance	%FS	≤± 1.5
Safe Overload	%FS	150
Ultimate Overload	%FS	300
Excitation, Recommended Voltage	V	5 ~ 12
Excitation, Maximum Voltage	V	18
Input Resistance	Ω	766 ± 20
Output Resistance	Ω	700 ± 4
Insulation Resistance (50V)	MΩ	≥5000
Compensated Temperature	°C	-10 ~ + 40
Operating Temperature	°C	-35 ~ + 65
Storage Temperature	°C	-40 ~ + 70
Load Cell Weight	kg	
Element Material		Alloy steel/ Stainless steel
Ingress Protection (acc. to EN 60529)		IP68
Recommended Torque on Fixation Bolts	Nm	1100
ATEX Classification (optional)		II 1G Ex ia IIC T4 Ga II 1D Ex ia IIIC T 200 135°C Da II 3G Ex ic IIC T4 Gc

Wiring

Features:

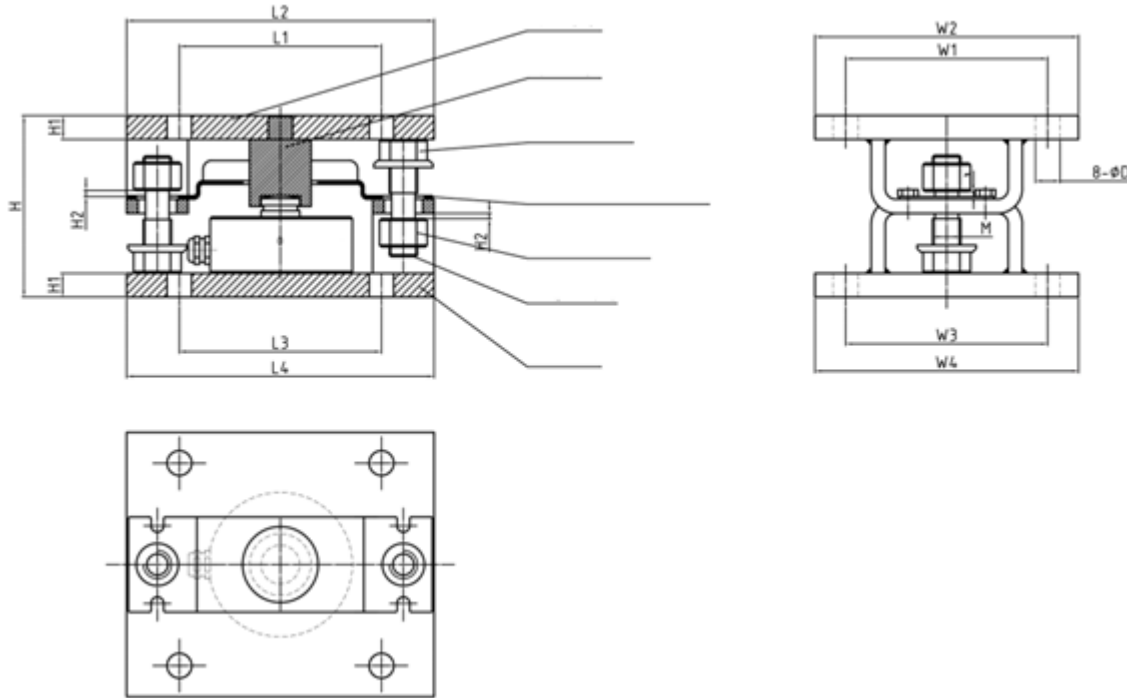
Cable type: Shielded, 4 conductor cable , conductor AWG 24
 Cable diameter: Ø 5.5mm
 Cable length: 10m (standard), 16m & 20m lengths also available
 Cable jacket: PVC
 Shield not connected to element

Mode of Connection



Type GL Load Cell

Dimensions in mm



	D	H	H1	H2	L1	L2	L3	L4	W1	W2	W3	W4	M
t/mm													
0.5-10t	14.0	103.0	13.5	3.0	115.0	175.0	115.0	175.0	115.0	150.0	115.0	150.0	M16
15-30t	14.0	114.2	19.1	3.0	115.0	175.0	115.0	185.0	115.0	150.0	115.0	150.0	M16
50t	17.5	(140)	25.4	3.0	160.0	225.0	165.0	225.0	160.0	200.0	160.0	200.0	M20
100t	20.0	(170)	25.4	3.0	185.0	275.0	185.0	275.0	185.0	250.0	185.0	250.0	M24