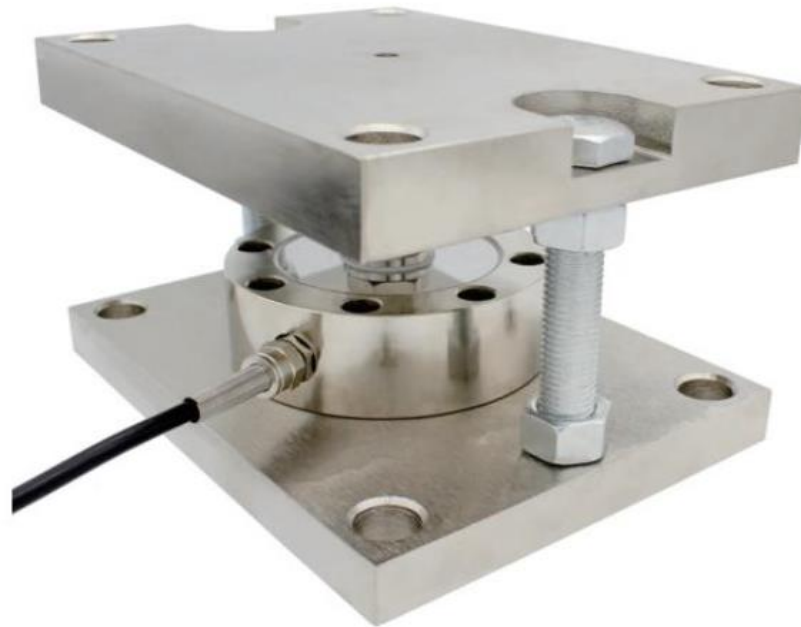


Type LFT Load Cell

Weighing modules



Features

- Weighing range: 100kg...100t
- Use high-quality sensors with high weighing accuracy
- Unique structure, can be easily installed on various tanks
- Support bolts to prevent equipment from tipping over
- High-quality alloy steel, nickel-plated surface
- Simple and fast installation
- Easy maintenance, saving downtime maintenance time
- Protection grade IP67/IP68

Applications

- Hopper, silo
- Platform, vertical tank
- Ingredient weighing of tank
- Weighing control during production process

Weighing modules

Description

LFT static load weighing module uses high-quality sensor elements. Its characteristics are compact structure, no need to install other accessories, and the self-stabilizing sensor pressure head makes the measurement accurate and repeatable. Made of alloy steel, stainless steel is optional, suitable for weighing control of tank batching process in harsh environments. Quick installation, saving installation and downtime maintenance time. Static load weighing module can be easily installed on containers of various shapes, and can be easily loaded, batched or stirred in the container.

Weighing modules

Available Models

P/N	Capacity	Accuracy	Full Article Description
722089998-00(01-04)	100kg-5t	C3	LFT-(100kg-5t)-C3-12B-2-FH
722089998-00(04-04)	10t-20t	C3	LFT-(10t-20t)-C3--12B-2-FH
722089998-00(01-04)	30t	C3	LFT-(30t)-C3--12B-2-FH
722089998-00(01-04)	40t-100t	C3	LFT-(40t-100t)-C3-12B-2-FH

Type LFT Load Cell

Technical Specifications LFT

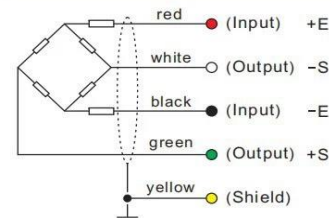
Accuracy Class		OIML R60 C3
Output Sensitivity (= FS)	mV/V	2.0 ± 0.002
Maximum Capacity (Emax)	kg	100kg....100t
Max. Number of Load Cell Intervals	n/c	3000
Ratio of min. LC Verification Interval	Y = Emax / vmin	7500
Combined Error	%FS	≤± 0.02
Creep Error (30 minutes)	%FS	≤± 0.02
Temperature Effect on Zero (ZTC)	%FS/10°C	≤± 0.02
Temperature Effect on Sensitivity (STC)	%FS/10°C	≤± 0.02
Zero Balance	%FS	≤± 1.5
Safe Overload	%FS	150
Ultimate Overload	%FS	300
Excitation, Recommended Voltage	V	5 ~ 12
Excitation, Maximum Voltage	V	18
Input Resistance	Ω	750 ± 20
Output Resistance	Ω	700 ± 4
Insulation Resistance (50V)	MΩ	≥5000
Compensated Temperature	°C	-10 ~ + 40
Operating Temperature	°C	-35 ~ + 65
Storage Temperature	°C	-40 ~ + 70
Load Cell Weight	kg	
Element Material		Alloy steel/ Stainless steel
Ingress Protection (acc. to EN 60529)		IP68
Recommended Torque on Fixation Bolts	Nm	1100
ATEX Classification (optional)		II 1G Ex ia IIC T4 Ga II 1D Ex ia IIIC T 200 135°C Da II 3G Ex ic IIC T4 Gc

Wiring

Features:

Cable type: Shielded, 4 conductor cable , conductor AWG 24
Cable diameter: Ø 5.5mm
Cable length: 10m (standard), 16m & 20m lengths also available
Cable jacket: PVC
Shield not connected to element

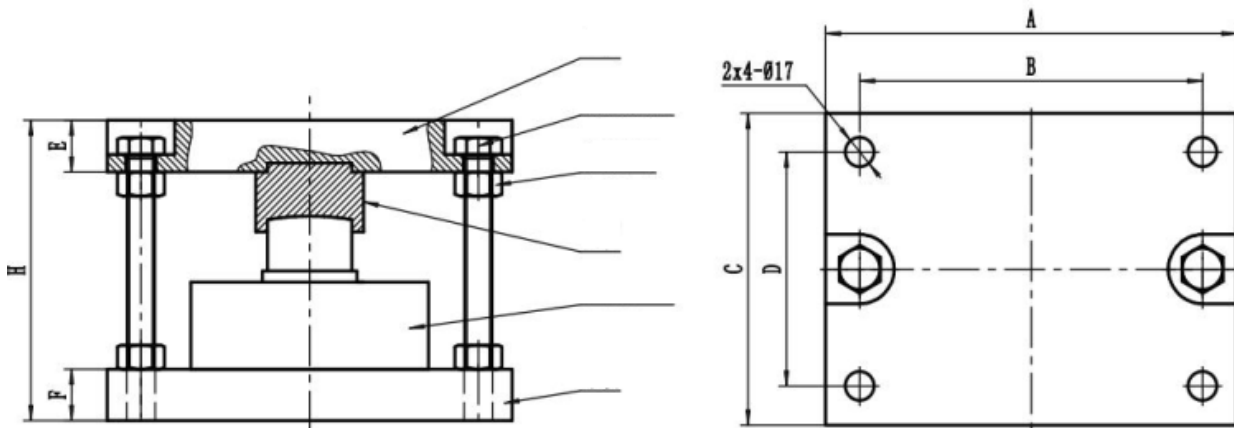
Mode of Connection



Type LFT Load Cell

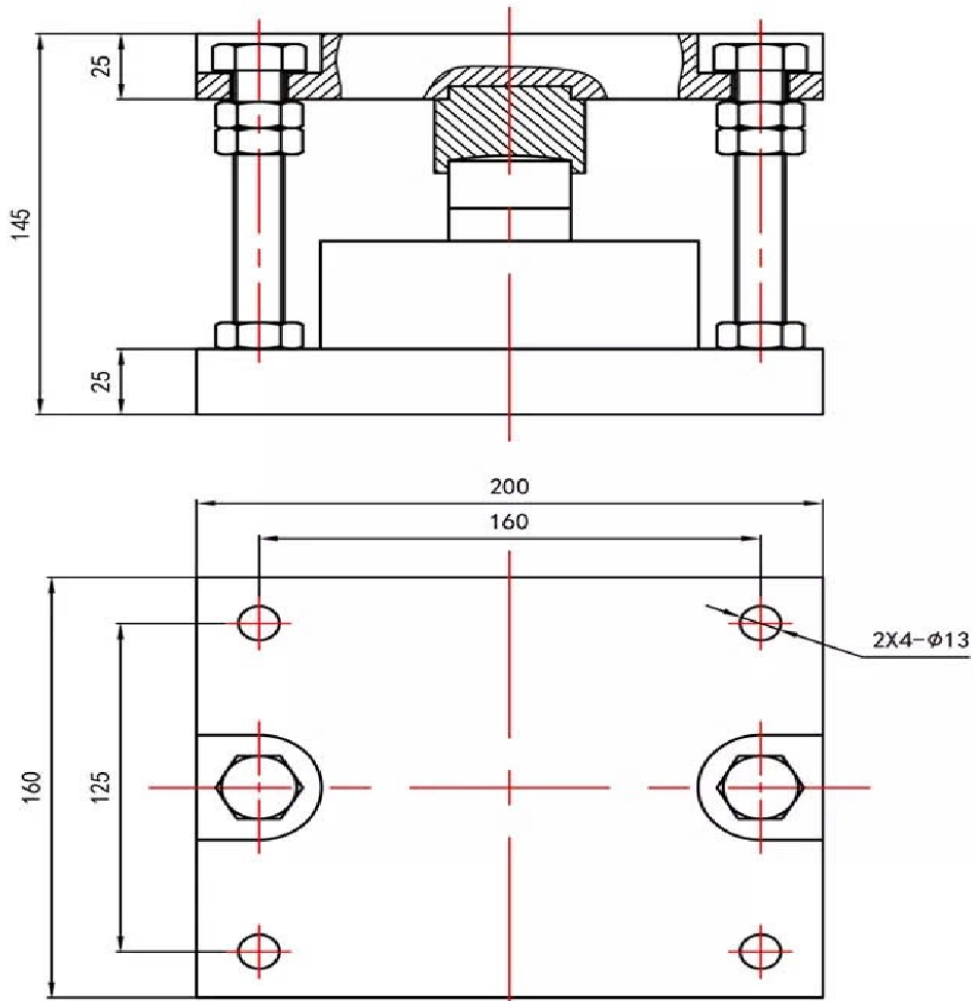
Dimensions in mm

Product Size Fig	
Unit:	mm



Range (T)	A	B	C	D	E	H
1-5	200	170	150	120	24	110
10-20	200	160	160	125	25	145
30	240	200	180	135	30	175
40-60	240	200	180	135	30	175

2

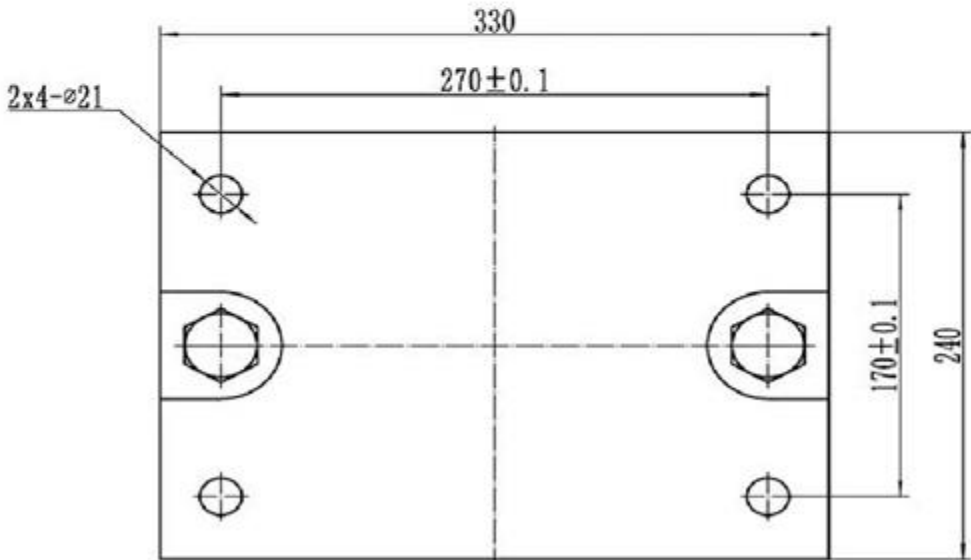
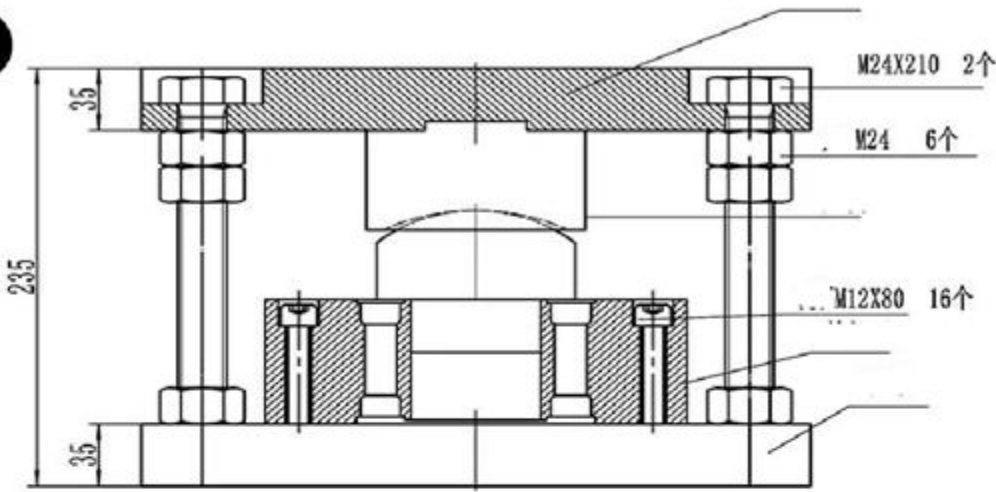


Range	A	B	C	D	E	H
10T 20T	200	160	160	120	24	145

3

Range	A	B	C	D	E	H
30T	240	200	180	135	30	175

4



Range	A	B	C	D	E	H
40T 50T 60T 100T	240	200	180	135	30	175

Type LFT Load Cell



Force Diagram

Limit nuts are convenient to install and screw loose after installation



100Kg-5T



10-20T

