

Type SBS Load Cell

Weighing modules



Features

- Weighing range: 100Kg...10t
- Use high-quality sensors with high weighing accuracy
- Unique structure, can be easily installed on various tanks
- Support bolts to prevent equipment from tipping over
- High-quality alloy steel, nickel-plated surface
- Simple and fast installation
- Easy maintenance, saving downtime maintenance time
- Protection grade IP67/IP68

Applications

- Hopper, silo
- Platform, vertical tank
- Ingredient weighing of tank
- Weighing control during production process

Weighing modules

Description

SBS static load weighing module uses high-quality sensor elements. Its characteristics are compact structure, no need to install other accessories, and the self-stabilizing sensor pressure head makes the measurement accurate and repeatable. Made of alloy steel, stainless steel is optional, suitable for weighing control of tank batching process in harsh environments. Quick installation, saving installation and downtime maintenance time. Static load weighing module can be easily installed on containers of various shapes, and can be easily loaded, batched or stirred in the container.

Weighing modules

Available Models

| P/N | Capacity | Accuracy | Full Article Description |
|------------------|--------------|----------|------------------------------|
| 722089999-000101 | 100kg..300kg | C3 | SBS-100kg-300kg-C3-12B-2-FHE |
| 722089999-000111 | 500kg | C3 | SBS -500kg-C3-12B-2-FHE |
| 722089999-000121 | 1t | C3 | SBS -1t-C3-12B-2-FHE |
| 722089999-000131 | 2t | C3 | SBS -2t-C3-12B-2-FHE |
| 722089999-000141 | 3t | C3 | SBS -3t-C3-12B-2-FHE |
| 722089999-000151 | 5t | C3 | SBS -5t-C3-12B-2-FHE |
| 722089999-000161 | 7.5t-10t | C3 | SBS -7.5t-10t-C3-12B-2-FHE |

Type SBS Load Cell

Technical Specifications SBS

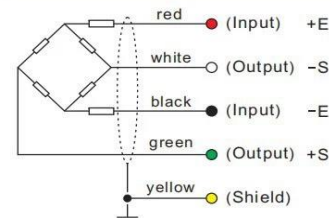
| | | |
|---|-----------------|---|
| Accuracy Class | | OIML R60 C3 |
| Output Sensitivity (= FS) | mV/V | 2.0 ± 0.002 |
| Maximum Capacity (Emax) | kg | 100kg....10t |
| Max. Number of Load Cell Intervals | n/c | 3000 |
| Ratio of min. LC Verification Interval | Y = Emax / vmin | 7500 |
| Combined Error | %FS | ≤± 0.02 |
| Creep Error (30 minutes) | %FS | ≤± 0.02 |
| Temperature Effect on Zero (ZTC) | %FS/10°C | ≤± 0.02 |
| Temperature Effect on Sensitivity (STC) | %FS/10°C | ≤± 0.02 |
| Zero Balance | %FS | ≤± 1.5 |
| Safe Overload | %FS | 150 |
| Ultimate Overload | %FS | 300 |
| Excitation, Recommended Voltage | V | 5 ~ 12 |
| Excitation, Maximum Voltage | V | 18 |
| Input Resistance | Ω | 380 ± 20 |
| Output Resistance | Ω | 350 ± 3 |
| Insulation Resistance (50V) | MΩ | ≥5000 |
| Compensated Temperature | °C | -10 ~ + 40 |
| Operating Temperature | °C | -35 ~ + 65 |
| Storage Temperature | °C | -40 ~ + 70 |
| Load Cell Weight | kg | |
| Element Material | | Alloy steel/ Stainless steel |
| Ingress Protection (acc. to EN 60529) | | IP67/68 |
| Recommended Torque on Fixation Bolts | Nm | 1100 |
| ATEX Classification (optional) | | II 1G Ex ia IIC T4 Ga II 1D Ex ia IIIC T 200 135°C Da II 3G Ex ic IIC T4 Gc |

Wiring

Features:

Cable type: Shielded, 4 conductor cable , conductor AWG 24
Cable diameter: Ø 5.5mm
Cable length: 5m (standard), 10m & 20m lengths also available
Cable jacket: PVC
Shield not connected to element

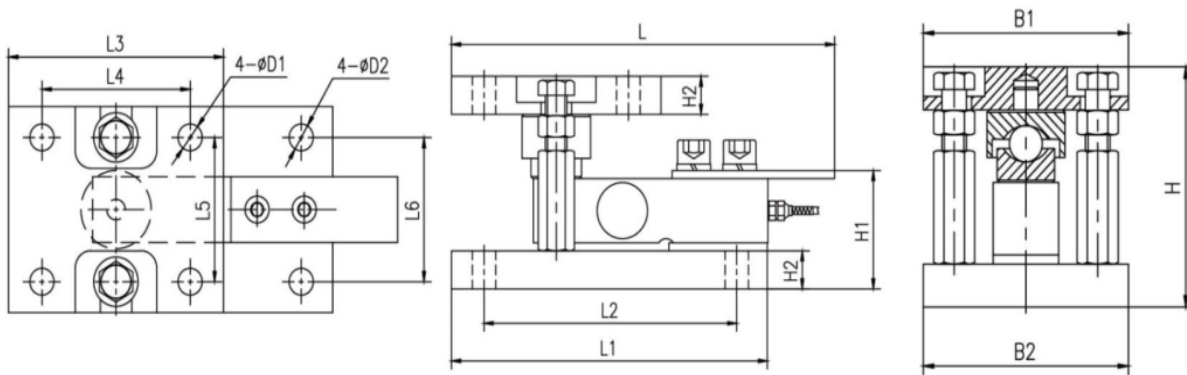
Mode of Connection



Type SBS Load Cell

Dimensions in mm

| Product Size Fig | |
|------------------|----|
| Unit: | mm |



| Range(T) | H | H1 | H2 | B1 | B2 | D1 | D2 | L | L1 | L2 | L3 | L4 | L5 | L6 |
|----------|-----|------|------|-----|-----|----|----|-------|-----|-----|-------|-------|-----|-----|
| 0.1-2.5 | 106 | 58 | 18 | 100 | 100 | 13 | 13 | 210 | 175 | 140 | 116 | 80 | 70 | 70 |
| 3-5 | 135 | 73 | 23 | 150 | 150 | 17 | 17 | 270 | 235 | 200 | 150 | 100 | 90 | 90 |
| 7.5-10 | 164 | 93.3 | 38 | 180 | 180 | 26 | 26 | 345.2 | 310 | 250 | 210.4 | 150.4 | 110 | 110 |
| | | | 28.5 | | | | | | | | | | | |