


Type SSB Load Cell



Short Description



- Stainless steel(2Cr13) IP68 shear beam load cell
- (50kg,100kg, 200kg,250kg are bending beam load cells)
- Adhesive sealed
- Suitable platform weighing, bed weighing, etc.
- High accuracy
- High reliability
- Current calibrated (sc-option)

 Test certificate no. TC7868 Revision 1

C of C no R60/2000-NL1-12.52



Certificate no. 06-099A1

Available Models

P/N	Capacity	Accuracy	Full Article Description
72208300	50kg	C3/C4/C5	SSB-C3/C4/C5-50kg-4B
72208301	100kg	C3/C4/C5	SSB-C3/C4/C5-100kg-4B
72208302	150kg	C3/C4/C5	SSB -C3/C4/C5-150kg-4B
72208303	200kg	C3/C4/C5	SSB -C3/C4/C5-200kg-4B
72208304	250kg	C3/C4/C5	SSB-C3/C4/C5-250kg-4B
72208305	300kg	C3/C4/C5	SSB-C3/C4/C5-300kg-4B
72208306	500kg	C3/C4/C5	SSB-C3/C4/C5-500kg-4B
72208307	750kg	C3/C4/C5	SSB-C3/C4/C5-750kg-4B
72208308	1t	C3/C4/C5	SSB-C3/C4/C5-1t-4B
72208309	1.5t	C3/C4/C5	SSB-C3/C4/C5-1.5-4B
722083010	2t	C3/C4/C5	SSB-C3/C4/C5-2t-4B
722083011	2.5t	C3/C4/C5	SSB-C3/C4/C5-2.5t-4B
722083012	3t	C3/C4/C5	SSB-C3/C4/C5-3t-4B
722083013	5t	C3/C4/C5	SSB-C3/C4/C5-5t-4B
722083014	10t	C3/C4/C5	SSB-C3/C4/C5-10t-4B

Type SSB Load Cell

Technical Specifications SSB

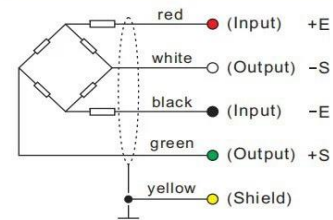
Accuracy Class		OIML R60 C3	OIML R60 C4	OIML R60 C5
Output Sensitivity (= FS)	mV/V	2.0 ± 0.2 / 3.0 ± 0.2		
Maximum Capacity (Emax)	kg	50,100,150,200,250,300,500,750,1t,1.5t,2t,2.5t,3t,5t,10t		
Max. Number of Load Cell Intervals	n.c	3000	4000	5000
Ratio of min. LC Verification Interval	Y = Emax / vmin	10000	15000	20000
Combined Error	%FS	≤± 0.020	≤± 0.018	≤± 0.014
Minimum dead load	Of Emax	0%		
Safe overload	of Emax	150 %		
Ultimate overload	of Emax	300 %		
Zero balance	of FS	< ± 2.0 %		
Excitation, recommended voltage	V	5 ~ 12		
Excitation maximum	V	18		
Input resistance	Ω	385 ± 20		
Output resistance	Ω	350 ± 3.5		
Insulation resistance	MΩ	≥5000 (at 50VDC)		
Compensated temperature	°C	-10 ~ +40		
Operating temperature	°C	-35 ~ +65		
Storage temperature	°C	-40 ~ +80		
Element material		Stainless steel		
Ingress Protection (acc. to EN 60529)		IP68/69		
Recommended torque on fixation bolts	Nm	M12: 75	M18:500	M24:750
ATEX classification (optional)		II1G Ex ia II1C T4 II1D Ex iaD 20 T73°C II3G nL IIC T4		

Wiring

Features:

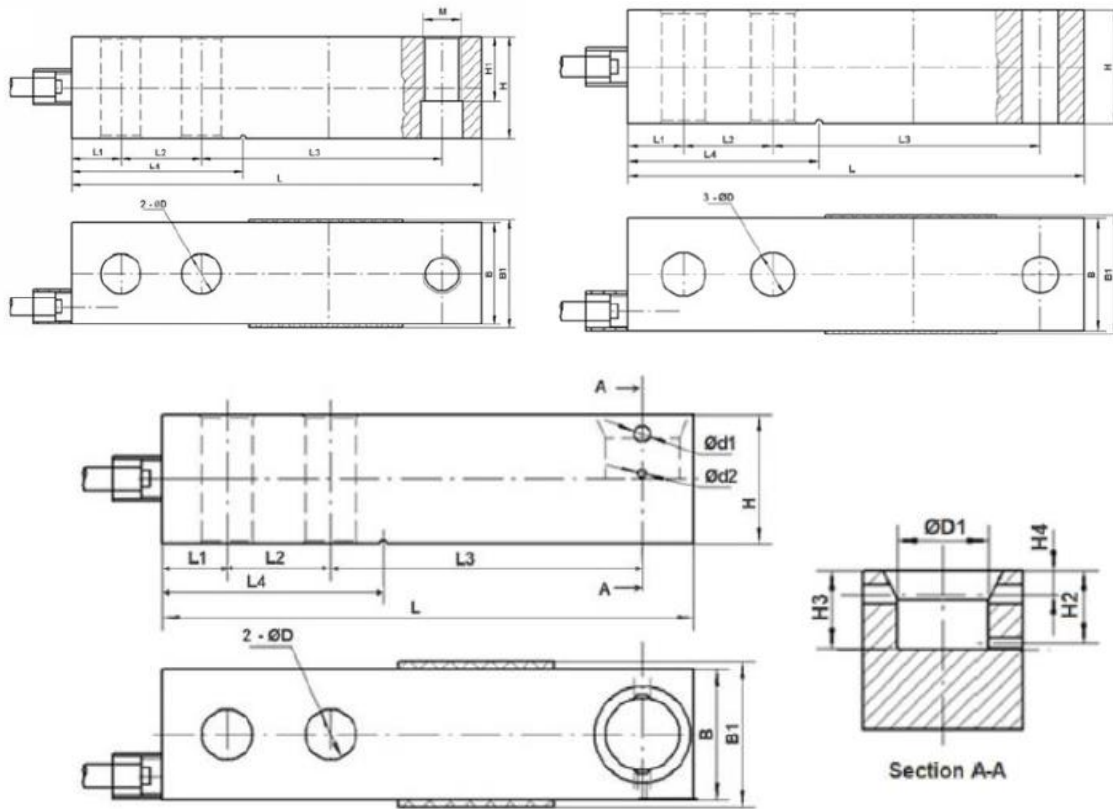
Shielded, 4 conductor cable.
Cable diameter: Ø5.3mm.
Standard cable length for 50kg – 2t: 3m and for 2t – 10t: 6m
cable length for(50kg-10t : 6m)
Shield connected to element.
Cable jacket in PVC.

Mode of Connection



Type SSB Load Cell


Dimensions in mm



Dimension Capacity	L	L1	L2	L3	L4	B	B1	H	H1	H2	H3	H4	ØD	Ø D 1	Ø d 1	Ø d 2	M
0.05t-2t	130	15.8	25.4	76.2	54.2	31.8	34	31.8	15.8	14.5	15.8	4.8	13.5	18	4	2	M12
2.5t-5t	171.5	19.1	38.1	95.3	77.2	38.1	40	38.1	18.8	17.5	18.8	4.8	19.8	25	4	2	M18
10t	222.3	25.4	50.8	120.7	101.6	50.8	52.4	50.8	25.4	-	-	-	26	-	-	-	M24

Type SSB Load Cell

Available accessories

<p>HJ-8-201-0.1-10t foot</p> <ul style="list-style-type: none"> • Ø60-86 and height 92-112 mm • Stainless steel • Adjustable height 	
<p>HD-8-301-0.5-5t spacer plate</p> <ul style="list-style-type: none"> • Stainless steel 	